

Material: Copper

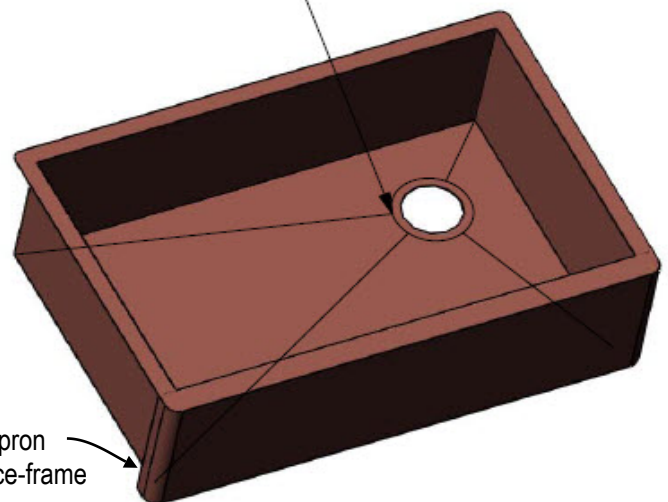
Apron Finish: Must be specified

Bowl Finish: Rachiele exclusive self healing weathered patina.

Specifications: 99.9% pure lead and mercury free cold rolled 14 gauge virgin copper.

We anticipate that you will review these drawings, as we will be responsible for building a sink to these specifications. If you are not qualified to read these plans, we assume you will have them reviewed by a qualified person before signing off on these drawings.

Form Drain Lines & 3.5" Drain Hole To Provide Proper Drainage.



This area of apron should overlap face-frame of cabinet.